

L800WUSB-RDK (PCI)

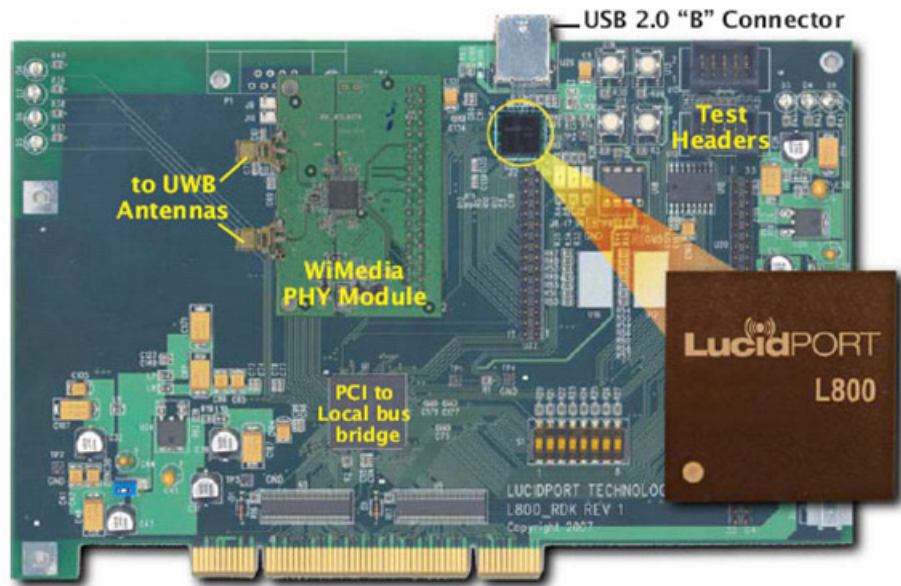


Certified Wireless USB Reference Design Kit

Hardware and Software Tools for Wireless USB (UWB) Peripheral Development

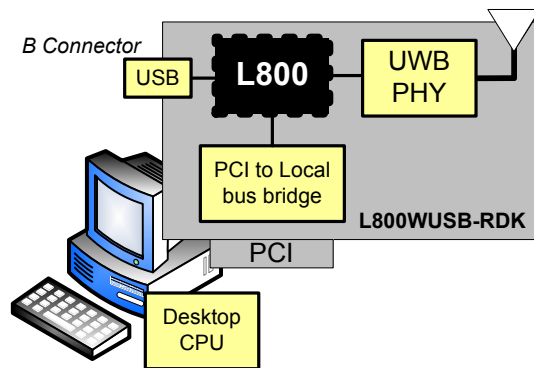
Based on LucidPort Technology's L800 Certified Wireless USB Controller, the L800WUSB-RDK packages a set of hardware and software tools for USB peripheral development. It operates at all data rates, up to 480Mbps, supports both cable and numeric association, and supplies both wired and wireless USB connections.

The L800WUSB-RDK is certified by both the USB-IF and the WiMedia Alliance



PC Based Development System

The L800 Reference Design Kit (RDK) comes with a PCI adapter board for insertion into a standard PC. This board can emulate different wireless USB devices, like printers or cameras. The PC provides a flexible development environment with many software design tools. This system allows for firmware development based on known good hardware operating in a standard environment.



The L800WUSB-RDK board converts a standard PC into a USB Peripheral Development Platform

Development Software

LucidPort provides device side firmware to enable the L800 to function as a standard USB class device (like a scanner or hard disk). APIs abstracting USB operations are included for custom applications. Sample host side drivers and utilities are also provided.



L800WUSB-RDK Contents

- ◆ **HARDWARE**
 - PCI Adapter Board with L800 Wireless USB (UWB) Controller
 - WiMedia USB PHY Module
 - UWB Antenna
- ◆ **SOFTWARE**
 - LucidPort USB APIs
 - Mass Storage, Video, Printer, and Scanner Class firmware
 - Basic demos and loopback utilities for quickly building and testing custom applications
 - Support for Windows XP, Vista, CE, and Linux Operating Systems
- ◆ **DOCUMENTATION**
 - Schematics and Bill of Materials
 - Usage and Firmware Porting Guide
 - Firmware source code